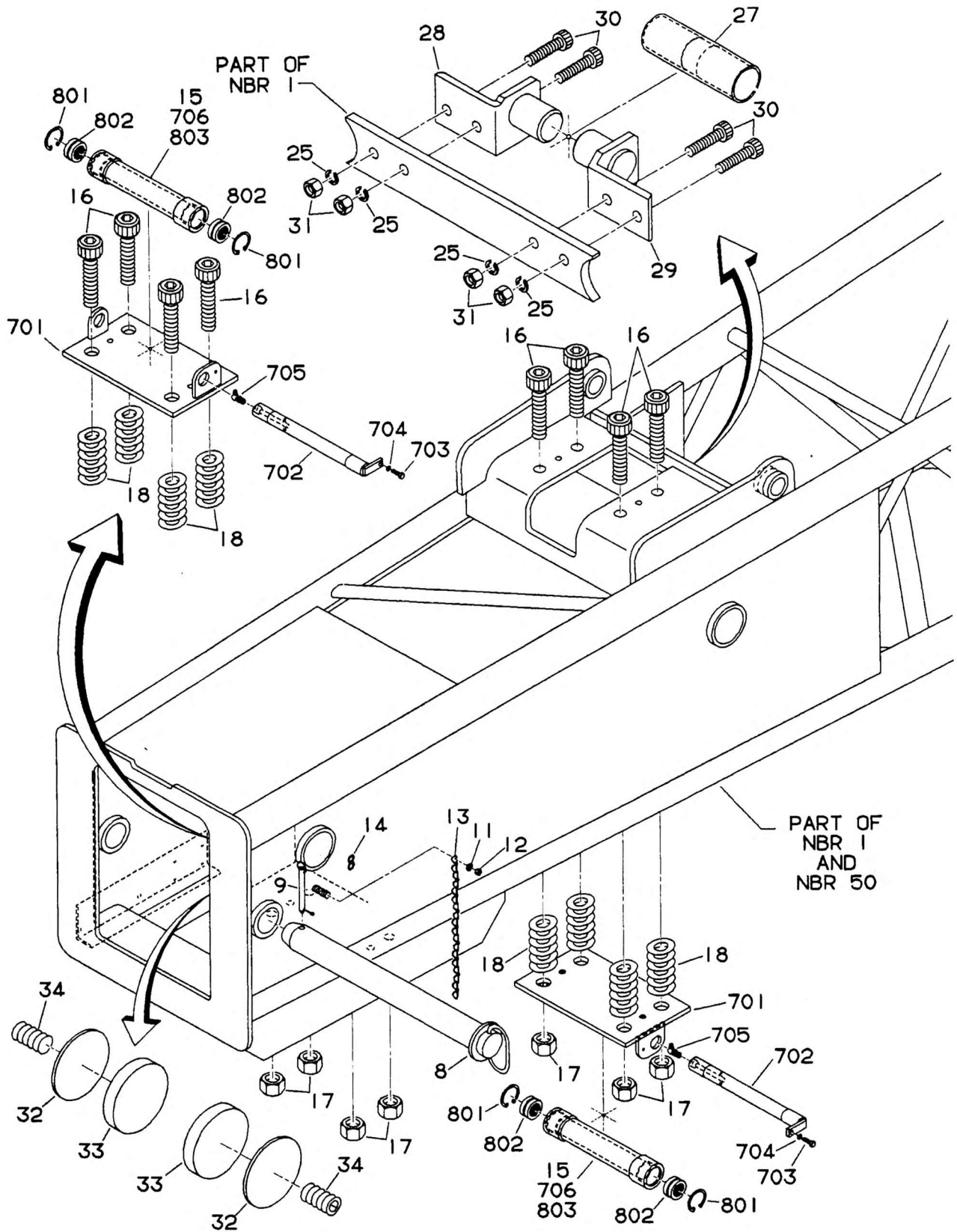
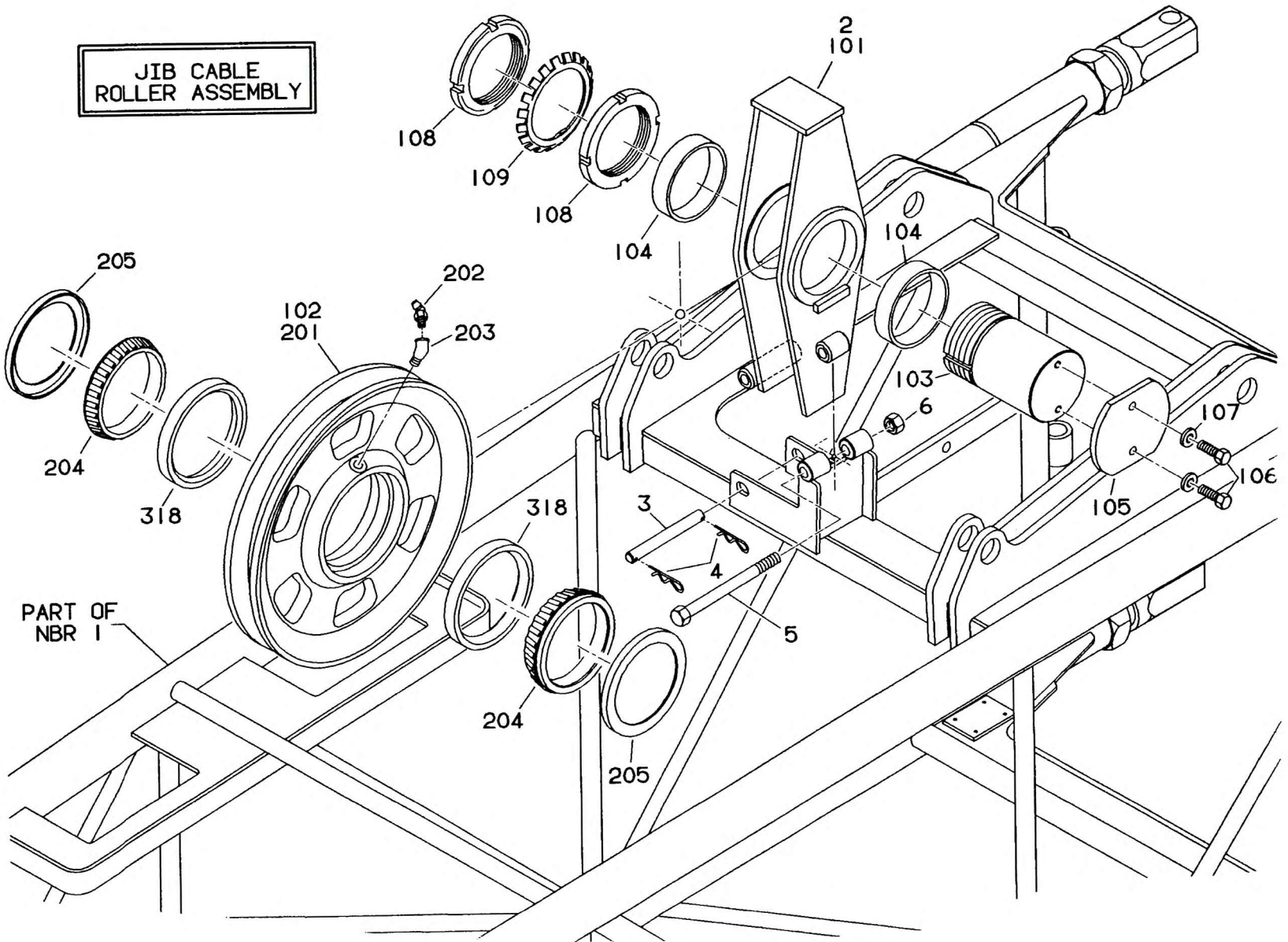


# Manitowoc Crane Group

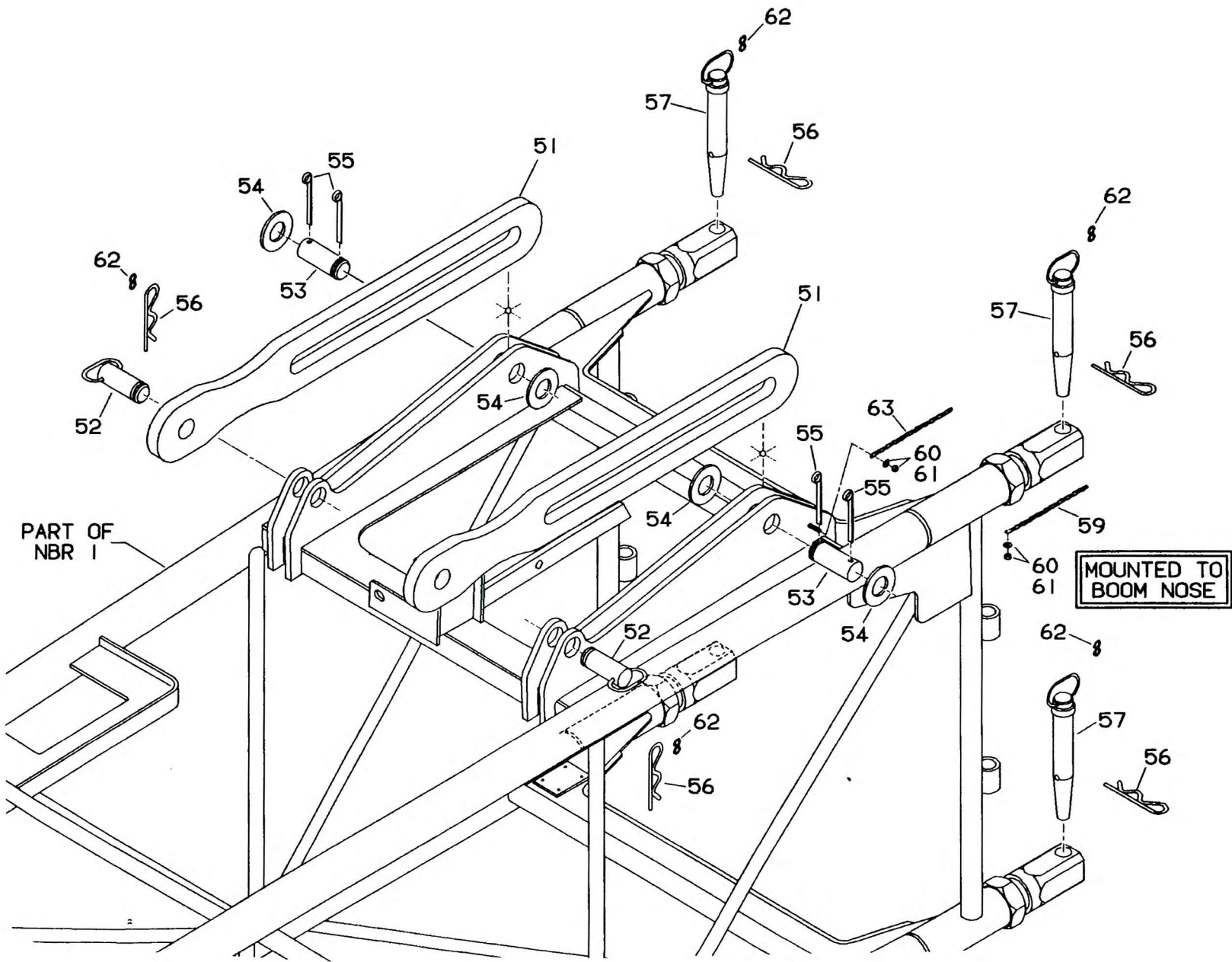


2192900597

(SHEET 5 OF 6)





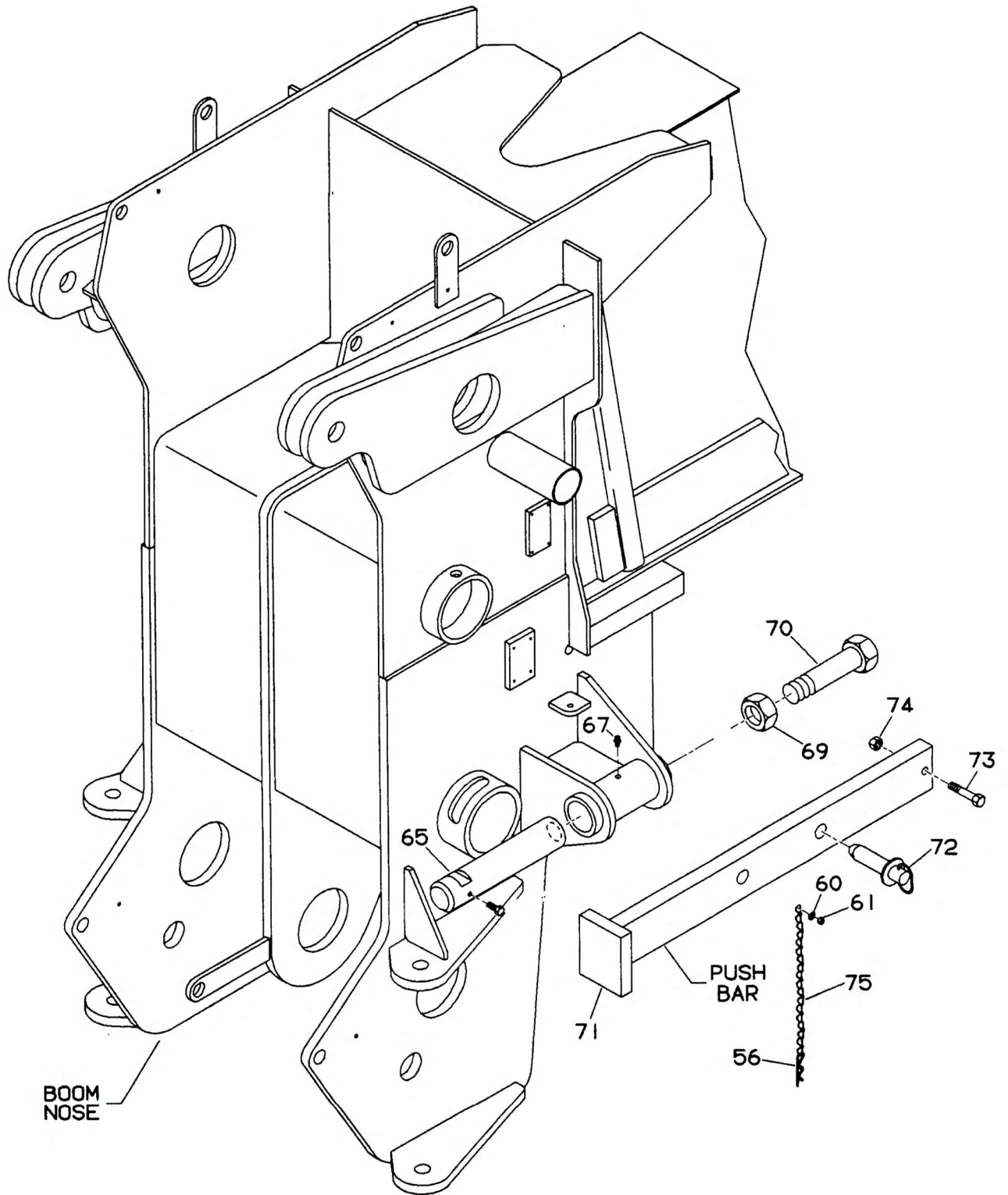


2192900597

(SHEET 3 OF 6)

Page 22

# Manitowoc Crane Group



STINGER BOOM  
EXTENSION ASSEMBLY

